

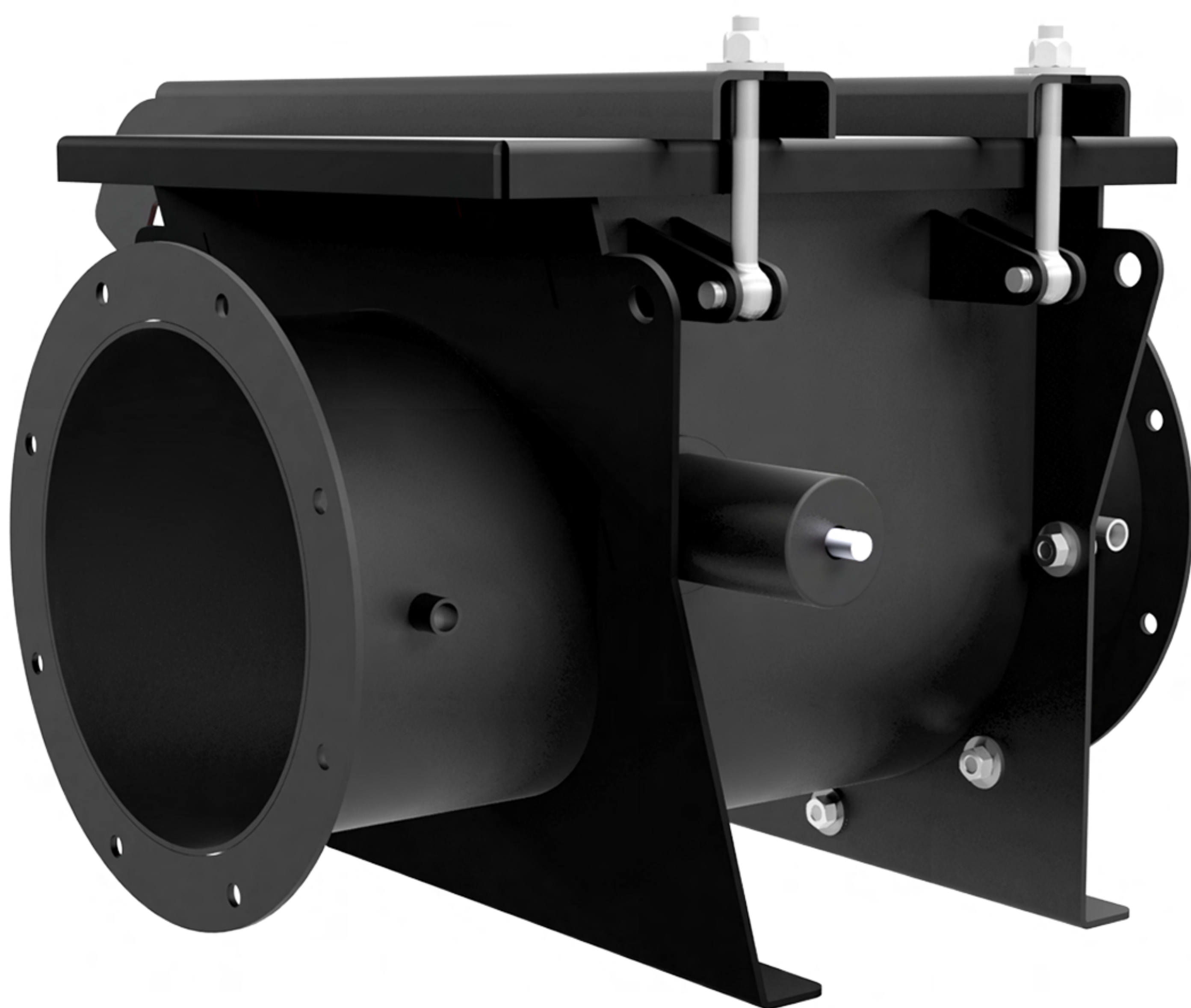
# Mechanical Explosion Isolation Normally Open Flap Valve NOVEx

## PASSIVE MECHANICAL ISOLATION SYSTEMS

### Normally Open Flap Valve NOVEx

The Explosion Isolation Flap Valve NOVEx stops flame propagation in air ducts, protecting the rest of the equipment within the plant. During the operation, the flow goes through the Flap Valve NOVEx. In case of explosion inside the equipment where the valve is installed (ex. in the Filter), the expansion of hot gas is produced. This excess pressure closes the flap, isolating and protecting the rest of the equipment.

The Flap Valve NOVEx by Adix is an economical and efficient solution to protect against the propagation of explosions in ducts.



ATEX Certified according to EN16447  
NFPA 69 Compliant

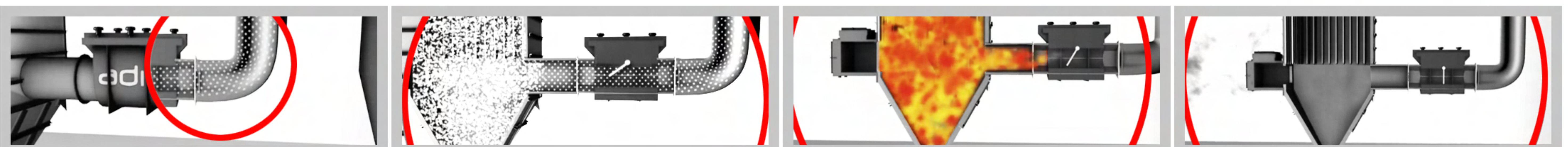
### Accessories (optional)

- // Differential pressure control
- // Position detector
- // Automatic cleaning system
- // Antiwear detector
- // Antiwear protection cover for the flap

- ◆ **VERSIONS**
  - // Sizes **DN71 to DN1000** (Bolted flanges DIN24154)
  - // **Dust** up to St2
  - // Casing built in: Carbon Steel or Stainless Steel
- ◆ **TECHNICAL FEATURES**
  - // Max. reduced pressure of the vessel where the explosion is originated:  
**2 barg (DN<500) or 1 barg (DN>500)**
  - // Max. range of dust concentration in the duct:  
**500 g/m<sup>3</sup>**
- ◆ **INSTALLATION AND MAINTENANCE**
  - // Variable installation distance:  
DN<500: 3-10m  
DN>500: 5-13m
  - // Possibility of 2 pipe **bends**
  - // Easy access for maintenance

**adix**

● explosion protection





# adix

● explosion protection

Adix Ingeniería SLU.

T (+34) 916 592 508

E [adix@adix.es](mailto:adix@adix.es)

[WWW.ADIX.ES](http://WWW.ADIX.ES)